

PanelMate ePro PS 8" Display Models Unit Dimensions

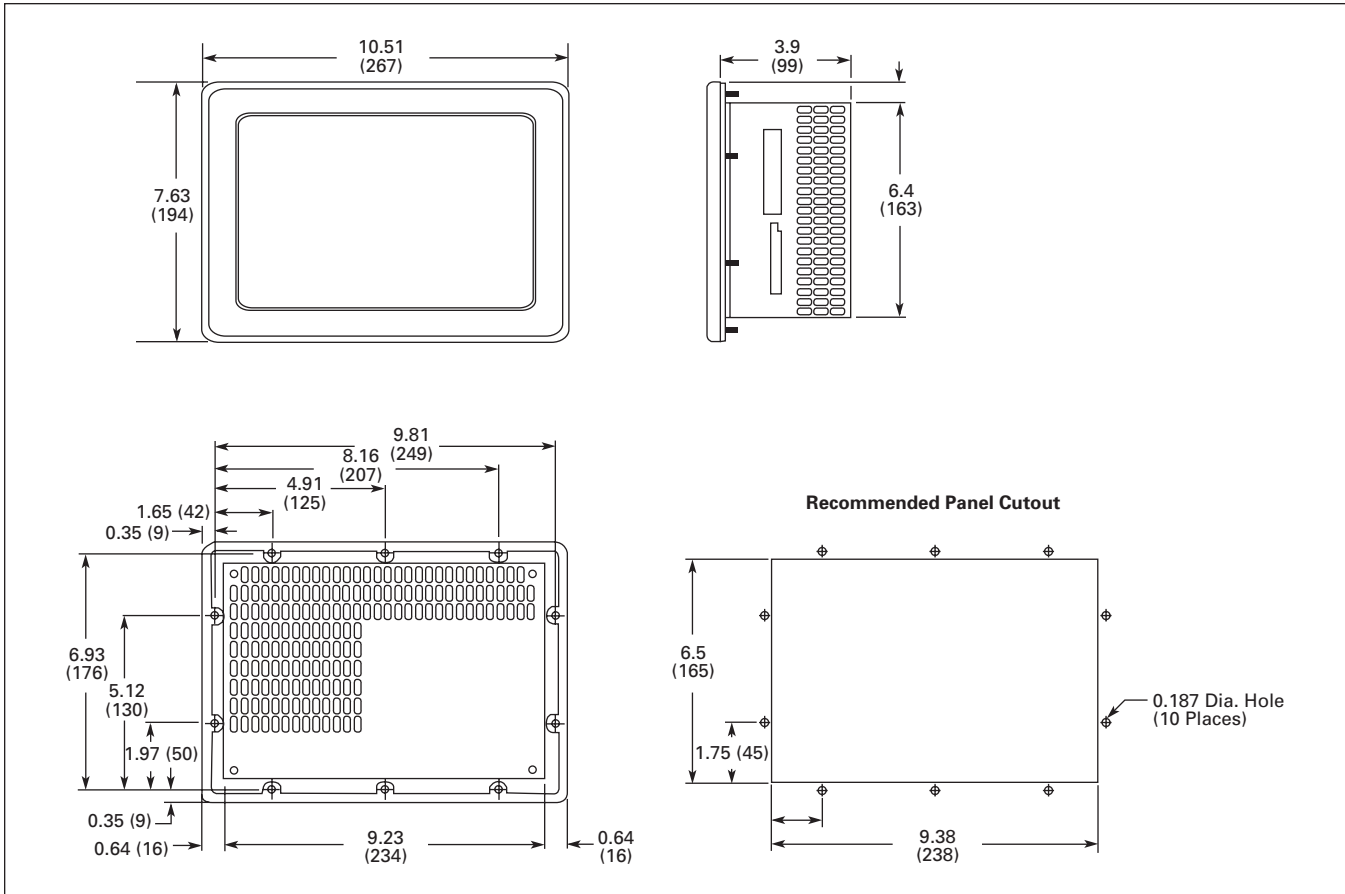


Figure A-1: PanelMate ePro PS 8" — Approximate Dimensions in Inches (mm)

Torque Requirements: 5 inch lbs. for #6-32 nuts

This drawing is available in .dwg format on the Eaton Electrical Internet site (www.EatonElectrical.com).

March 2008

PanelMate ePro PS 10" Display Models Unit Dimensions

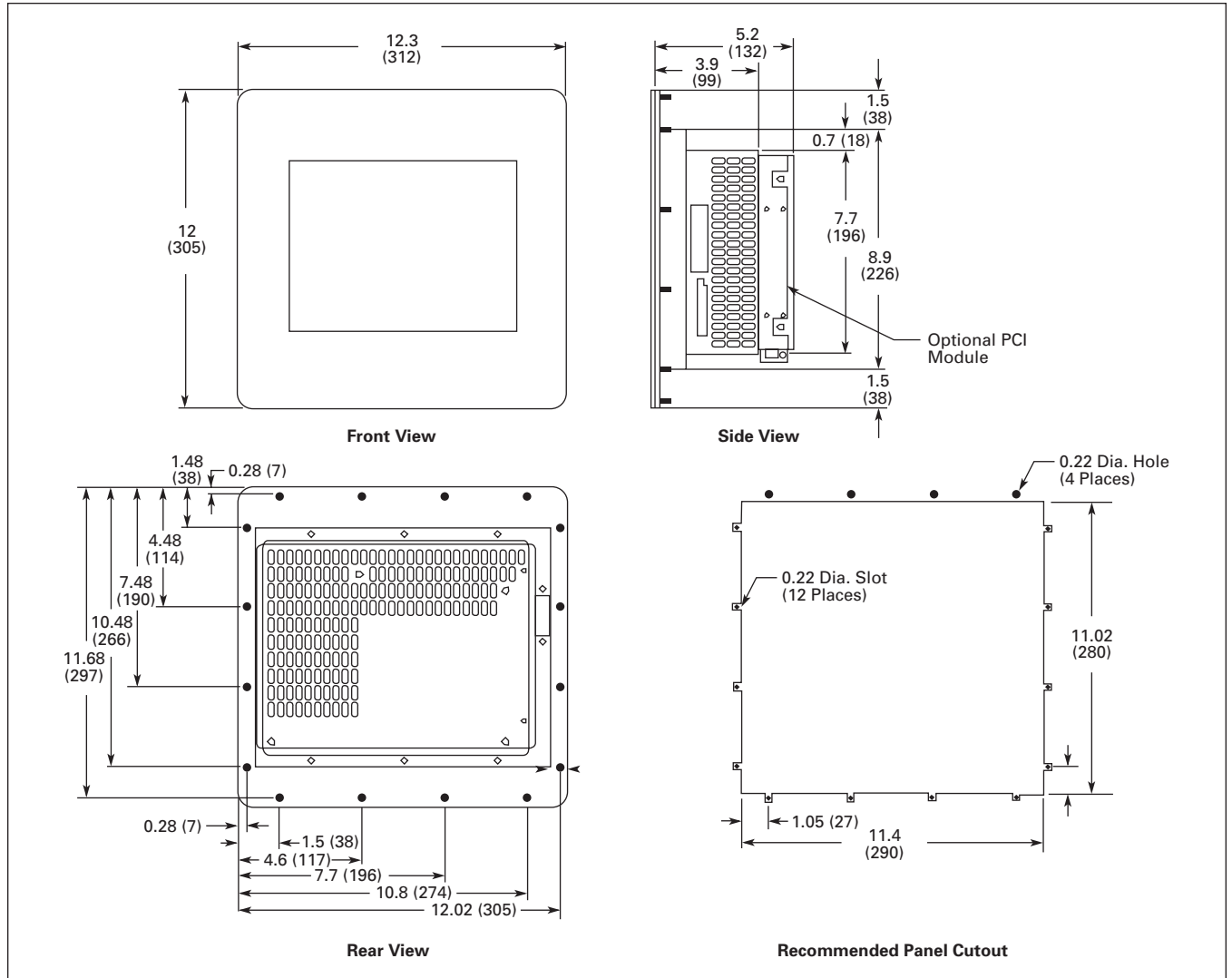


Figure A-2: PanelMate ePro PS 10" — Approximate Dimensions in Inches (mm)

Torque Requirements: 6 inch lbs. for #8-32 nuts

This drawing is available in .dwg format on the Eaton Electrical Internet site (www.EatonElectrical.com).

PanelMate ePro PS 12" Display Models Unit Dimensions

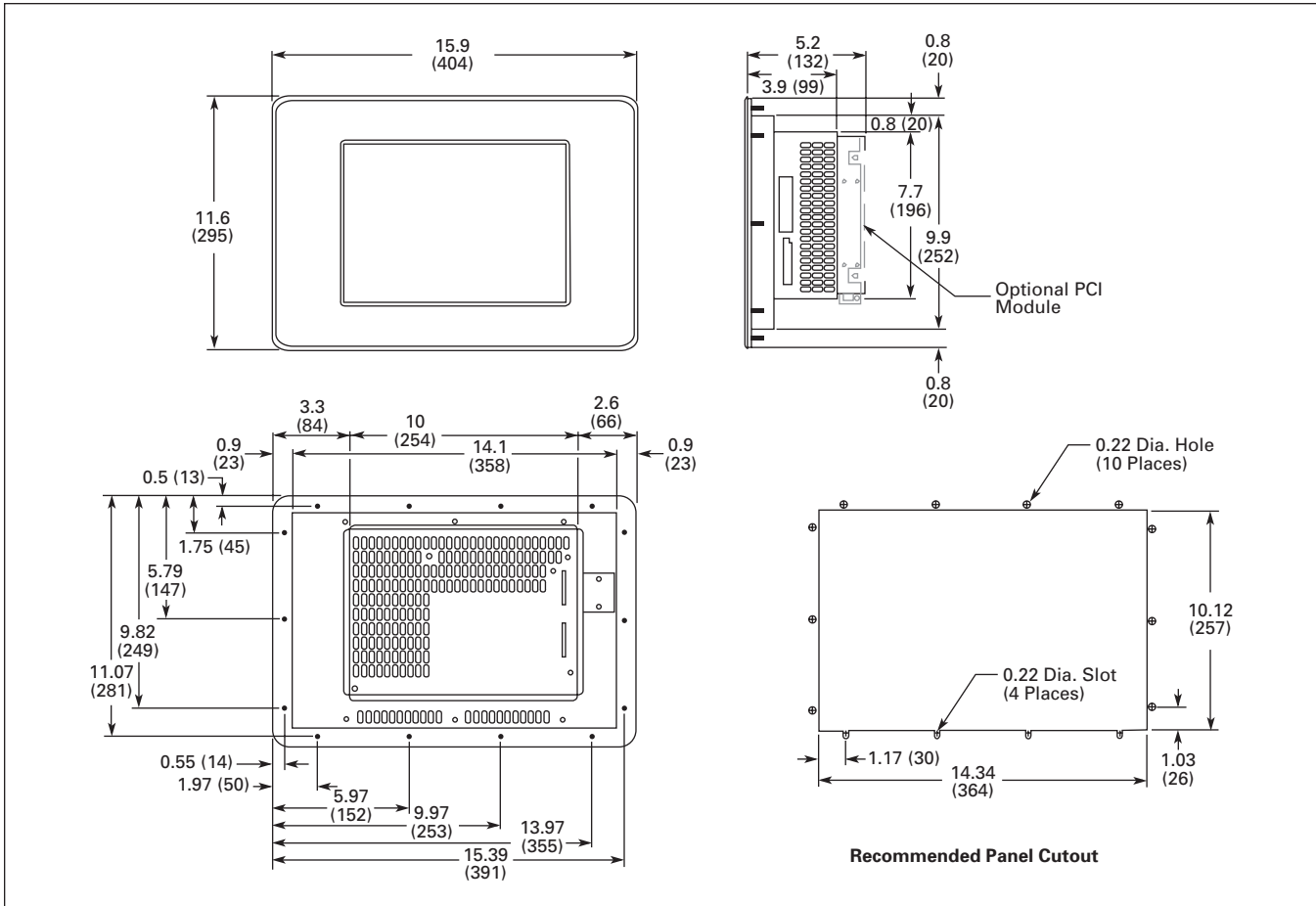


Figure A-3: PanelMate ePro PS 12" — Approximate Dimensions in Inches (mm)

Torque Requirements: 15 inch lbs. for #10-32 nuts

This drawing is available in .dwg format on the Eaton Electrical Internet site (www.EatonElectrical.com).

March 2008

PanelMate ePro PS 15" Display Models Unit Dimensions

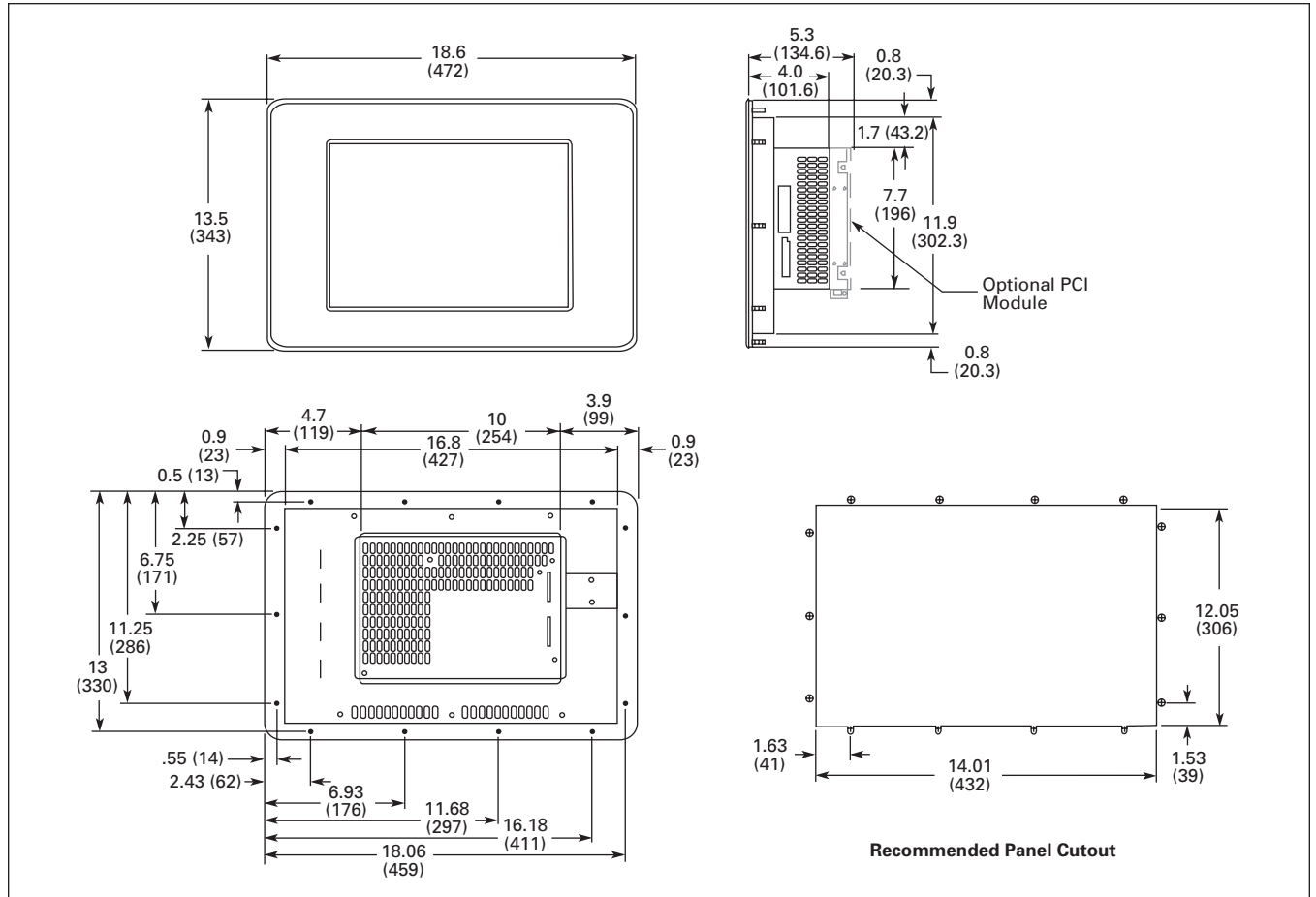


Figure A-4: PanelMate ePro PS 15" — Approximate Dimensions in Inches (mm)

Torque Requirements: 17 inch lbs. for #10-32 nuts

This drawing is available in .dwg format on the Eaton Electrical Internet site (www.EatonElectrical.com).

PanelMate ePro PS Blind Node Models Unit Dimensions

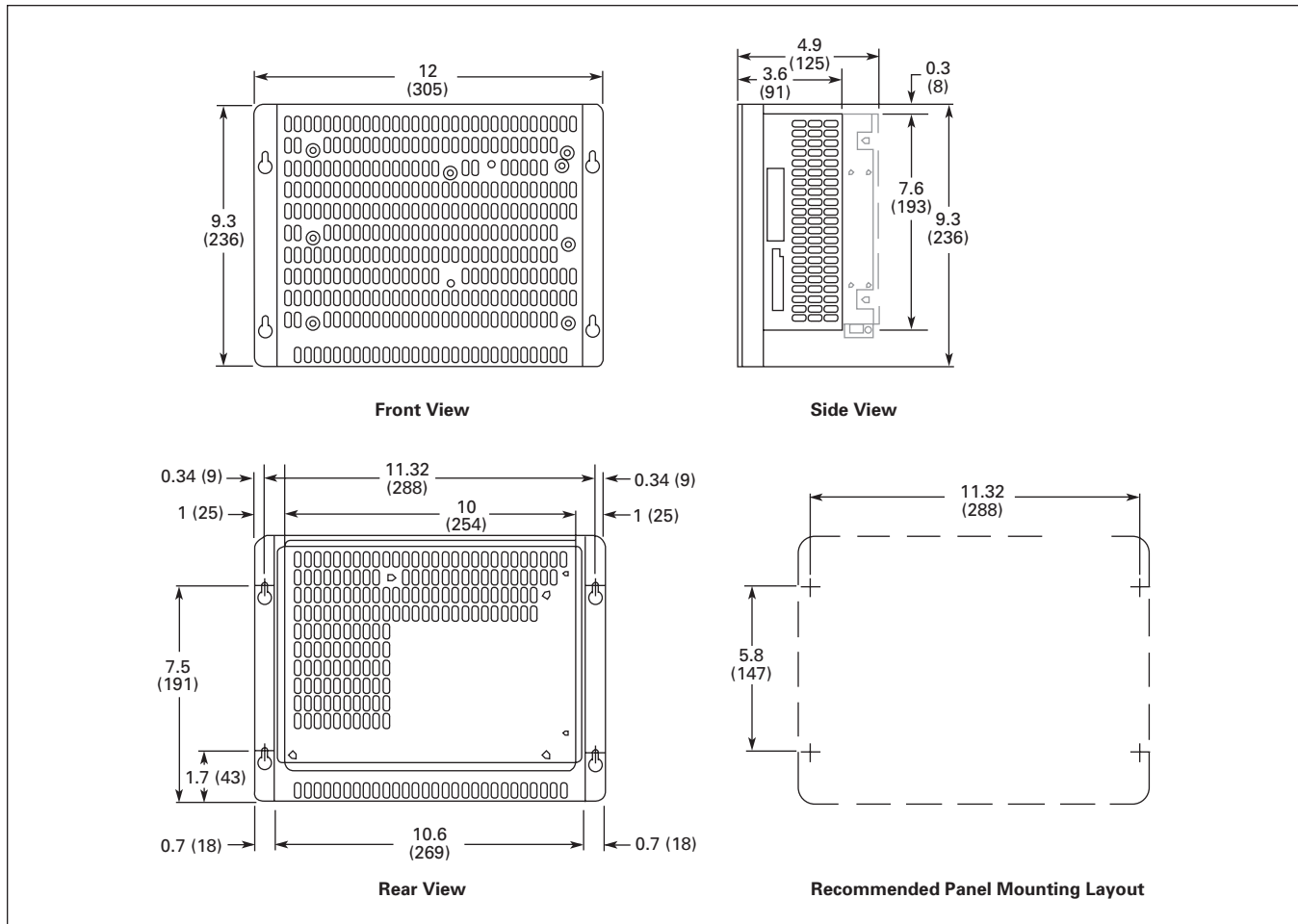


Figure A-5: PanelMate ePro PS Blind Node — Approximate Dimensions in Inches (mm)

This drawing is available in .dwg format on the Eaton Electrical Internet site (www.EatonElectrical.com).